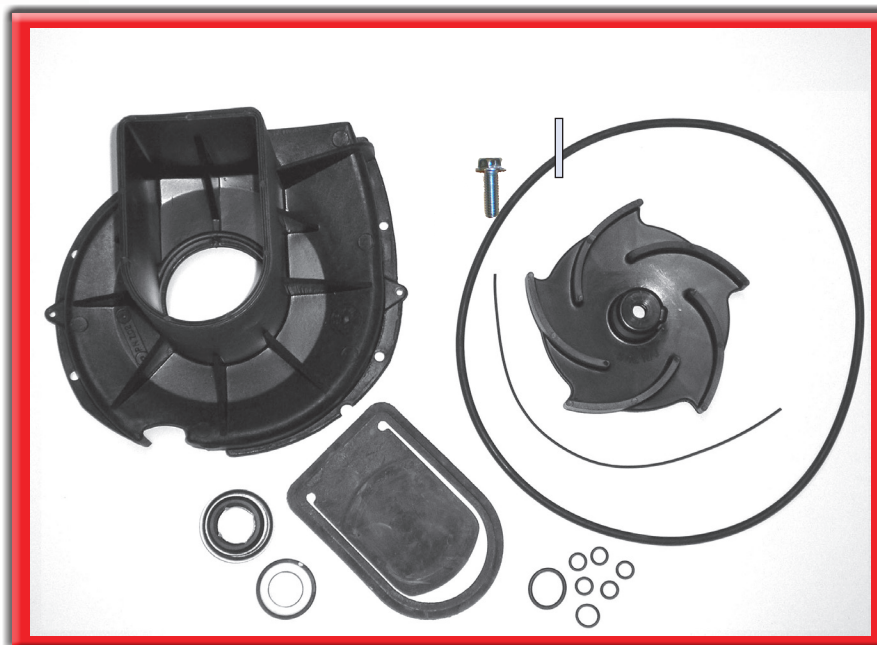


**PACER**

# PACER REBUILD KITS

## SERIES 'S' PUMP W/EPDM ELASTOMERS



**SHIPPING WEIGHT = 3 lbs. CARTON SIZE 8"x8"x6"**

Part No.: **P-58-702EP-P** Contains: 1 ea. 58-0702 30 volute, 58-0704 30 impeller, 58-0005 seal kit, 58-0716 10 impeller screw and 58-0718 key stock: Fits pump models: SEB2PL, SE2PL, SE2AL and SE2FL.  
UPC# 0 95616 70240 0

Part No. **P-58-702EP-U** Contains: 1 ea. 58-0702 30 volute, 58-0706 30 impeller, 58-0005 seal kit, 58-0716 10 impeller screw and 58-0718 key stock: Fits pump models: SEB2UL, SE2UL, SE2CL, SE2IL and SE3NL.  
UPC# 0 95616 70242 4

Part No. **P-58-954EP-Y** Contains: 1 ea. 58-0954 30 volute, 58-0974 30 impeller, 58-0005 seal kit, 58-0716 10 impeller screw and 58-0718 key stock: Fits pump models: SEB2YL, SE2YL and SE2HL.  
UPC# 0 95616 95447 2

Part No. **P-58-977EP-RS** Contains: 1 ea. 58-0977 30 volute, 58-0975 30 impeller, 58-0005 seal kit, 58-0716 10 impeller screw and 58-0718 key stock: Fits pump models: SE2RL, SE3SL, SE2JL and SE3LL.  
UPC# 0 95616 97745 7

Part No. **P-58-954EP-E** Contains: 1 ea. 58-0954 30 volute, 58-0667 30 impeller, 58-0005 seal kit, 58-0716 10 impeller screw and 58-0718 10 key stock. Fits Pump model SE2EL.  
UPC# 0 95616 00923 3

Part No. **P-58-977EP-Z** Contains: 1 ea. 58-0977 30 volute, 58-8975 30 impeller, seal & elastomer kit, 58-1668 10 impeller screw and 58-0718 10 key stock. Fits pump model SE3ZL.  
UPC #0 95616 00929 5

Part No. **P-58-702EP-X** Contains: 1 ea. 58-0702 30 volute, 58-8706 30 impeller, seal & elastomer kit, 58-1668 10 impeller screw and 58-0718 10 key stock. Fits pump model SE3XL.  
UPC #0 95616 00928 8

**PACER PUMPS**

41 Industrial Circle  
Lancaster PA 17601-5927  
www.pacerpumps.com  
Email: [sales@pacerpumps.com](mailto:sales@pacerpumps.com)

800-233-3861  
717-925-8240  
Fax: 717-925-824